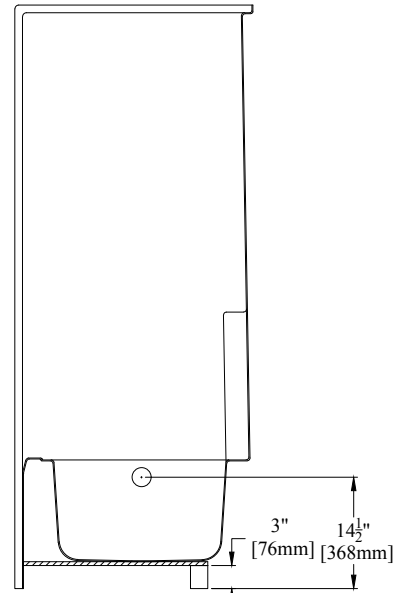
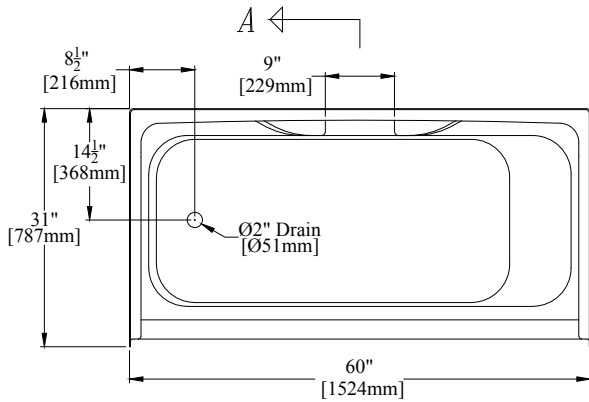


**ELEVATION**



**SECTION "A-A"**



**PLAN**

**60" [1524mm] Tub/Shower  
w/ Molded Soap Ledges**

*Left Hand Version (7931LX) Shown*

**PRODUCT SPECIFICATIONS:**

- \* Product complies with NAHB, HUD UM-73A, and ANSI-Z124.1.2.
- \* Product has a Class B fire rating as determined by ASTM E-84 test method.
- \* Sufficient drain clearance to accommodate above the floor plumbing.
- \* Reinforced & slip resistant floor.
- \* Integral 1" [25mm] nailing flange.
- \* Factory drilled 2 1/2" [64mm] overflow.
- \* Bathwell Dimensions (At Top): W-55" [1397mm]  
D-22 1/4" [565mm]  
H-13" [330mm]
- \* Bathwell Dimensions (At Bottom): W-46" [1168mm]  
D-21" [533mm]
- \* Bathwell Capacity (At Overflow): 42 Gal [159L]
- \* Water Level (At Overflow): 9 1/2" [241mm]
- \* All dimensions +/- 1/2" [12.8mm]
- \* Clarion Bathware reserves the right to change design and/or dimensions.
- \* Dimensions are the same for RE, MP, and all other versions of this model.

**7931LX or 7931RX**

**60" [1524mm] Tub/Shower w/ Molded Soap Ledges**

**Clarion**  
BATHWARE  
44 Amsler Ave.  
Shippenville, PA 16254

Phone: (814) 226-5374  
Toll Free: (800) 576-9228  
Fax: (814) 226-0730  
www.clarionbathware.com

Signatures For Approval:

Customer: \_\_\_\_\_ Date: \_\_\_\_\_  
Arch./Engr: \_\_\_\_\_

Quote #: \_\_\_\_\_  
Job Name: \_\_\_\_\_

Dwg. #  
7931LX or RX  
-CUT

Dwg. By: NMH  
DATE: 6/6/2017

**\*\*\* IMPORTANT NOTICE \*\*\***

Clarion Bathware reserves the right to change the design and/or dimensions of its products at any time. This drawing may have been updated since this publication was issued. Before placing an order for any product, refer to our website at [www.clarionbathware.com](http://www.clarionbathware.com) to obtain the most current drawings for any products that you wish to purchase. Compare the date of revision of the drawing that you have with the one on the drawing on our website. If you do not have internet access, please call your sales representative or Clarion Bathware's sales department at 1-800-576-9228.